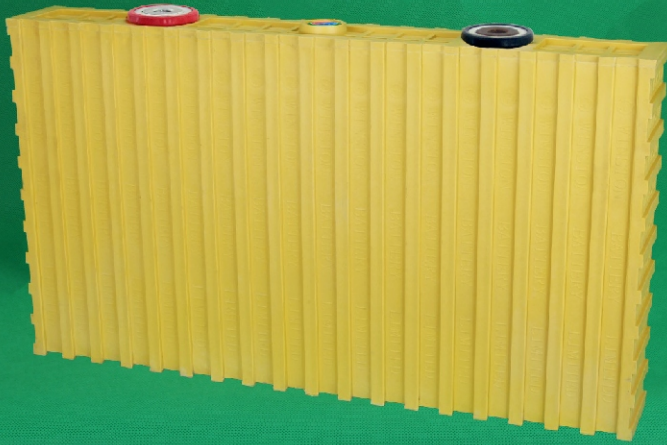




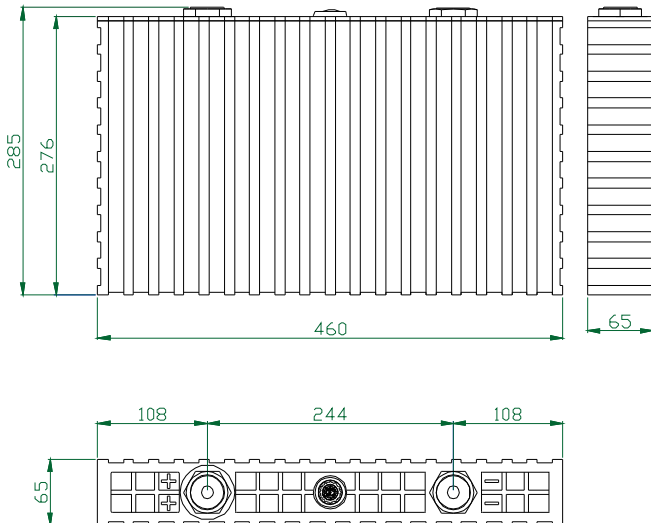
## 雷天温斯顿储能类“水性锂钪动力电池”性能说明

THUNDER SKY WINSTON ENERGY STORAGE TYPE "WATER-BASED LITHIUM YTTRIUM POWER BATTERY" PERFORMANCE SPECIFICATION

### 单体电池尺寸 DIMENSIONS



型号 (MODEL) : TSWB-LYP400AHA(B)



### 技术参数 SPECIFICATIONS

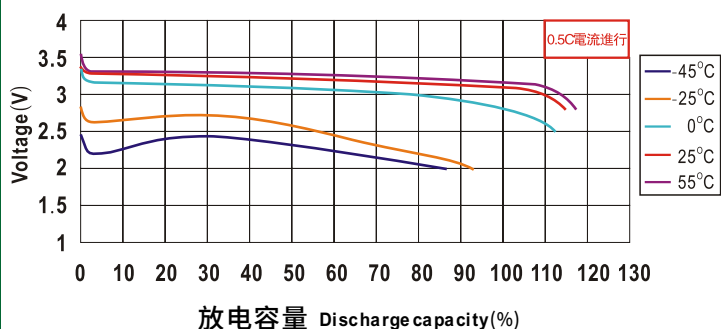
| 型号 (MODEL)                                       | TSWB-LYP400AHA(B)        |            |
|--|--------------------------|------------|
| 标称容量<br>Nominal Capacity                         | 400AH                    |            |
| 规格<br>SPEC                                       | 长 L                      | 460mm      |
|  | 宽 W                      | 65mm       |
|  | 高 H                      | 285mm      |
| 工作电压<br>Operation Voltage                        | 充电<br>Charge             | 4.0(V)     |
|  | 放电<br>Discharge          | 2.8(V)     |
| 内阻<br>Internal resistance                        | ≤0.3(mΩ)                 |            |
| 最大放电电流<br>Max Discharge Current                  | 恒电流<br>Constant Current  | ≤3CA       |
|  | 脉冲试<br>Impulse Current   | ≤10CA      |
| 标准充放电电流<br>Standard Charge/<br>Discharge Current | 200A(0.5CA)              |            |
| 循环寿命<br>Cycle Life                               | (80%DOD)                 | ≥5000Times |
|  | (70%DOD)                 | ≥7000Times |
| 壳体耐温性<br>Temperature Durability<br>Of Case       | ≤200°C                   |            |
| 适应环境<br>Operating<br>Temperature                 | 充电<br>Charge             | -45°C~85°C |
|  | 放电<br>Discharge          |            |
|  | 存储湿度<br>Storage Humidity | ≤75%RH     |
| 自放电率 (月)<br>Self-discharge Rate                  | ≤1% (月/Monthly)          |            |
| 单体电池重量<br>Weight                                 | 13.1kg±250g              |            |

# TSWB-LYP400AHA(B)型电池的充放电特性

## TSWB-LYP400AHA(B) CHARGE&DISCHARGE CHART

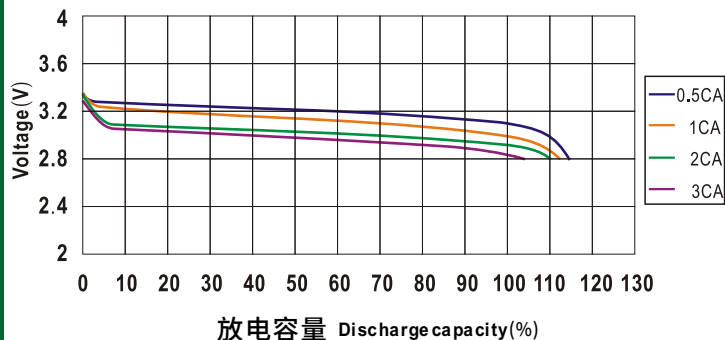
### 不同环境温度下LYP类电池的放电特性曲线

Discharge characteristic curve of LYP type battery under different ambient temperature



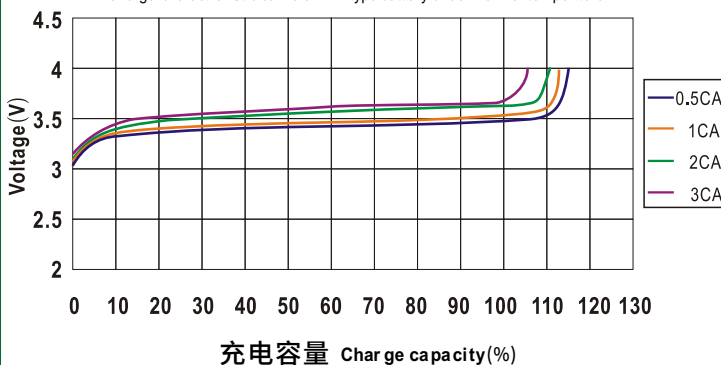
### 常温下LYP类电池的放电特性曲线

Discharge characteristic curve of LYP type battery under normal temperature



### 常温下LYP类电池的充电特性曲线

Charge characteristic curve of LYP type battery under normal temperature



### 在常温下LYP类电池的存储特性曲线

Storage characteristic curve of LYP type battery under normal temperature

